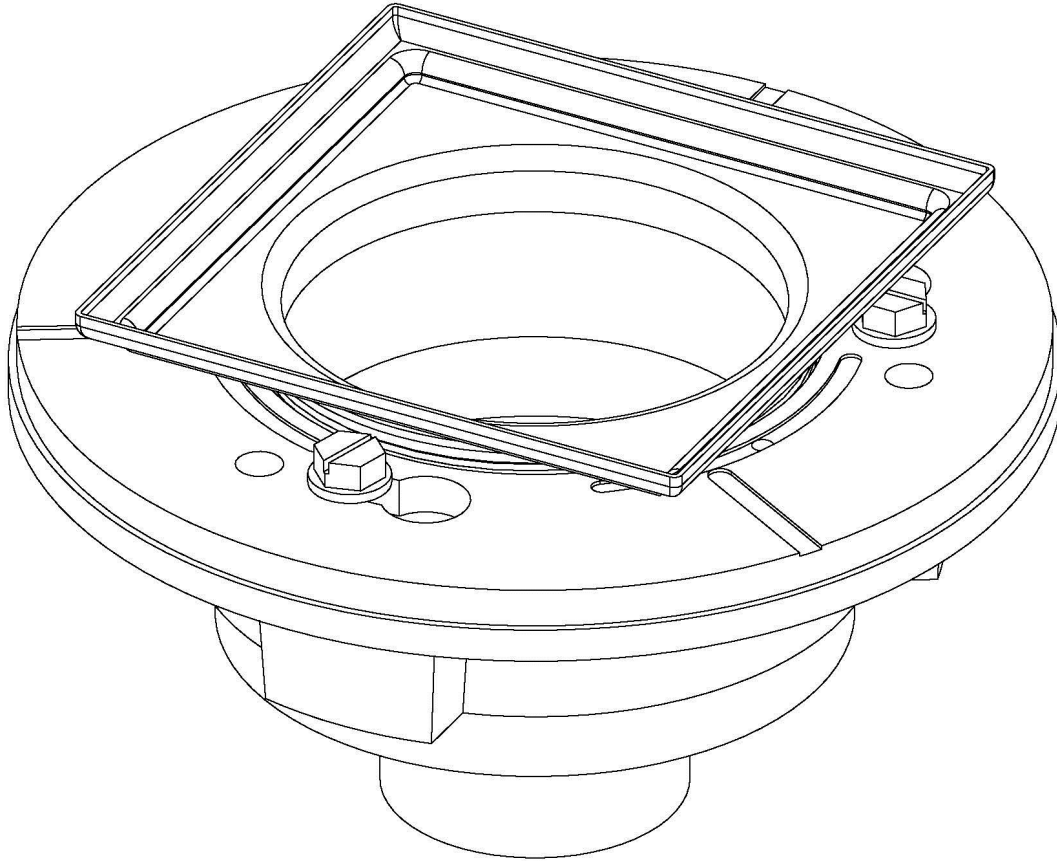


DT 42 Specifications

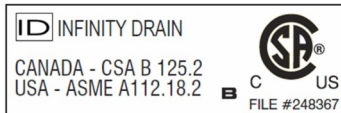


Residential Drain Assembly includes:

- CDIT 42 - 4" x 2" Cast Drain Body with Threaded Outlet
- T4 - 4" Throat to fit G series Strainer
- HS 2 - 2" Hair Catch
- MG 5 - Mud Guard

Infinity Drain

18 Secatoag Avenue
Port Washington, NY 11050
Phone: 516.767.6786
Fax: 516.740.3066
www.InfinityDrain.com



Note: Installer must verify all rough-in dimensions prior to installation and consult local and national codes. Conformity and compliance to local and national codes are the responsibility of the installer.